

1

2

3

4

5

6

A

A

B

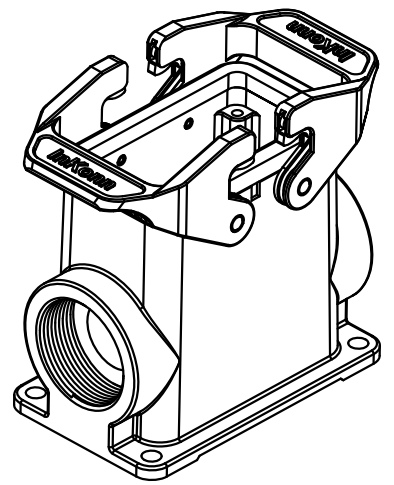
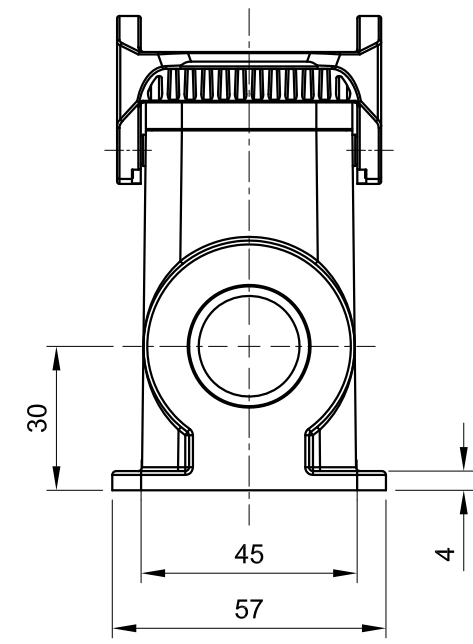
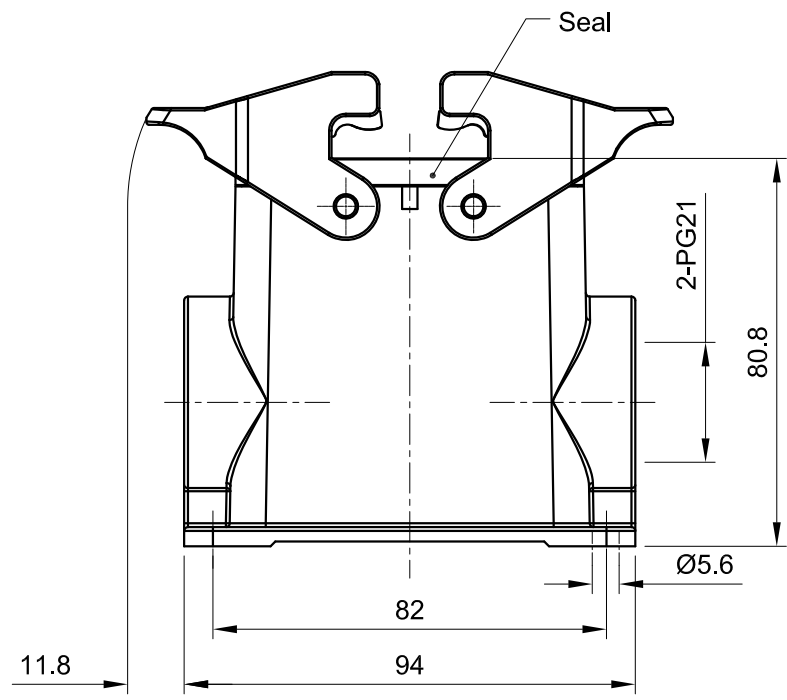
B

C

C

D

D



<p>All Dimensions in mm Original Size DIN A4</p>	Date 2019-12-10	Drawing No. TC2265561	Rev. A00	Scale 1:1.5
	<p>InKonn® InKonn (Suzhou) Electric Technology Co.,Ltd.</p>	Part No. 10 11 810 1626	Created by Shuxu Huang	Checked by Yiyi Luo
Type Name HB10-HSM-DL-2PG21				

1

2

3

4

5

6